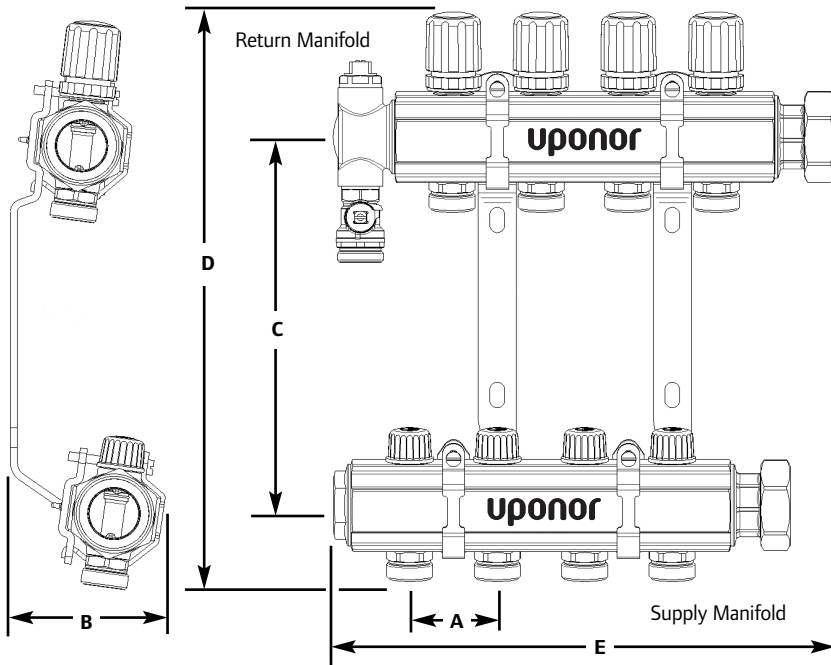


Uponor

RADIANT HEATING SYSTEMS

**TruFLOW™
CLASSIC MANIFOLD**

INSTRUCTION SHEET



TruFLOW™ Classic Manifold System

Installing Actuators

The TruFLOW manifold comes with black plastic caps mounted on the return manifold for manual operation of the on/off valves. To mount either the A3020522 Uponor Motorized Valve Actuator (MVA) or A3010522 Uponor Thermal Actuator, follow the directions below.

1. Remove the plastic cap by loosening the lower ring with a pair of pliers.
2. Install the included brass manifold adapter ring A2620028 (see below). Tighten by hand.
3. Install actuator:
 - a. MVA (A3020522): Thread on the MVA until it bottoms out on the brass ring. The alignment dot may not line up. This will not affect the operation of the end switch.
 - b. Thermal Actuator (A3010522): Thread on the green plastic ring

until it bottoms out on the brass ring. Snap on the actuator head until you hear two clicks indicating that both sides of the actuators have seated properly.



TruFLOW Classic Manifolds (Dimensions in inches)

Part No.	Part Description	A	B	C	D	E
A2610200	TruFLOW Classic Manifold, 2-loop S&R without Flow/Temperature Meters	1.94	3.46	8.25	12.60	8.40
A2610300	TruFLOW Classic Manifold, 3-loop S&R without Flow/Temperature Meters	1.94	3.46	8.25	12.60	10.34
A2610400	TruFLOW Classic Manifold, 4-loop S&R without Flow/Temperature Meters	1.94	3.46	8.25	12.60	12.28
A2610500	TruFLOW Classic Manifold, 5-loop S&R without Flow/Temperature Meters	1.94	3.46	8.25	12.60	14.22
A2610600	TruFLOW Classic Manifold, 6-loop S&R without Flow/Temperature Meters	1.94	3.46	8.25	12.60	16.16
A2610700	TruFLOW Classic Manifold, 7-loop S&R without Flow/Temperature Meters	1.94	3.46	8.25	12.60	18.10
A2610800	TruFLOW Classic Manifold, 8-loop S&R without Flow/Temperature Meters	1.94	3.46	8.25	12.60	20.04
A2611000	TruFLOW Classic Manifold, 10-loop S&R without Flow/Temperature Meters	1.94	3.46	8.25	12.60	23.92
A2611200	TruFLOW Classic Manifold, 12-loop S&R without Flow/Temperature Meters	1.94	3.46	8.25	12.60	27.80



How to Determine Balancing Turns

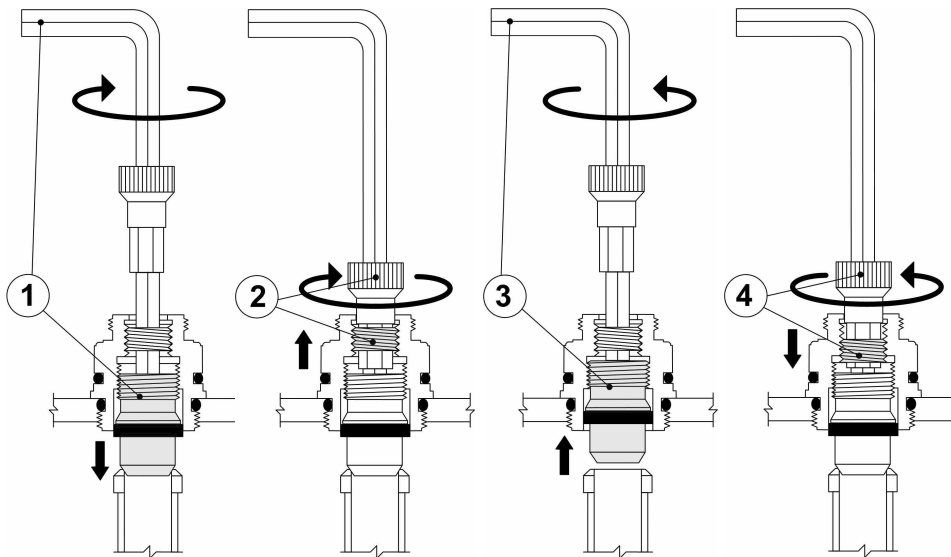
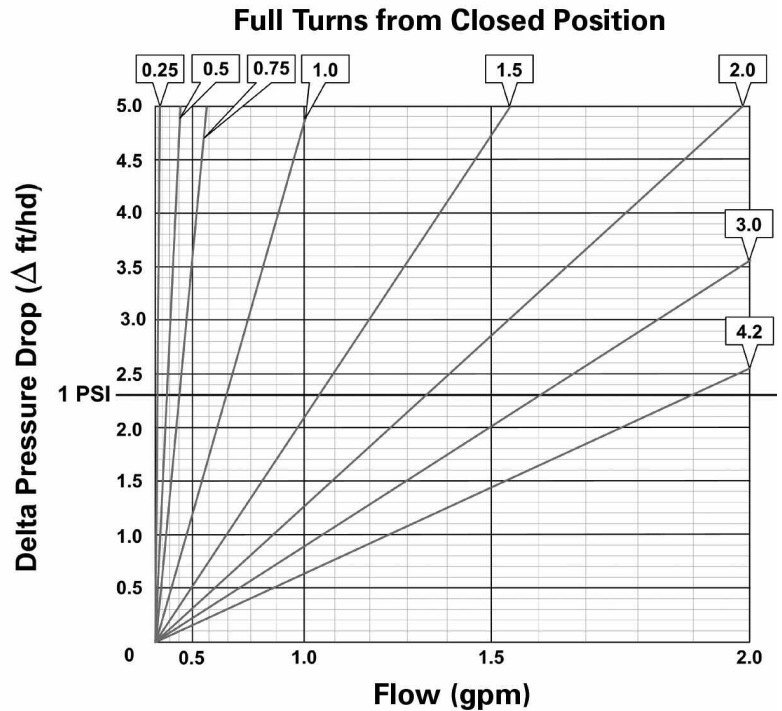
To balance the manifold correctly, determine the flow (gpm) and pressure drop (ft/hd) for each loop on the manifold. To find the required turns, follow directions below.

1. On the manifold to be balanced, find the loop with the highest pressure drop (ft/hd). This loop does not need any balancing, and will be fully open (4.25 turns from closed position).
2. To balance all other loops on the manifold, find the pressure drop (ft/hd) for each loop and subtract from the loop with the highest pressure drop (same as the loop figured in step 1). The difference is the delta ft/hd. Use this number on the balancing chart to find the required number of balancing turns.

Example: If the highest pressure-drop loop has 7 ft/hd and the loop that needs to be balanced has 5 ft/hd, subtract 5 from 7 for a difference of 2 delta ft/hd.

3. Locate the delta ft/hd number on the vertical scale located on the left side of the balancing chart.
4. Locate the gallons per minute (gpm) on the horizontal scale at the bottom of the balancing chart.
5. Locate where the delta ft/hd and gpm intersect on the chart.
6. The closest diagonal line to this intersection represents the number of full valve turns from closed to open to accurately balance the loop. If the intersection falls between two diagonal lines, estimate the distance between the lines and adjust the turns accordingly.

Balancing Chart



Valve Setting

To balance and preset the manifold assembly, proceed as follows.

1. Using the chrome allen key (6mm), turn main valve clockwise until it stops.
2. Using the small brass key, turn memory stop clockwise until it stops.
3. Using the chrome allen key, turn the main valve counter-clockwise to set the loop flow or balancing turns for that loop.
4. Using the small brass key, turn memory stop counter-clockwise until it stops.

Uponor, Inc
 5925 148th Street West
 Apple Valley, MN 55124
 Tel: (800) 321-4739
 Fax: (952) 891-1409
Web: www.uponor-usa.com
E-mail: learnmore@uponor-usa.com

Uponor Ltd.
 655 Park Street
 Regina, SK S4N 5N1
 Tel: (888) 994-7726
 Fax: (800) 638-9517
Web: www.uponor.ca
E-mail: info@uponor.ca

uponor